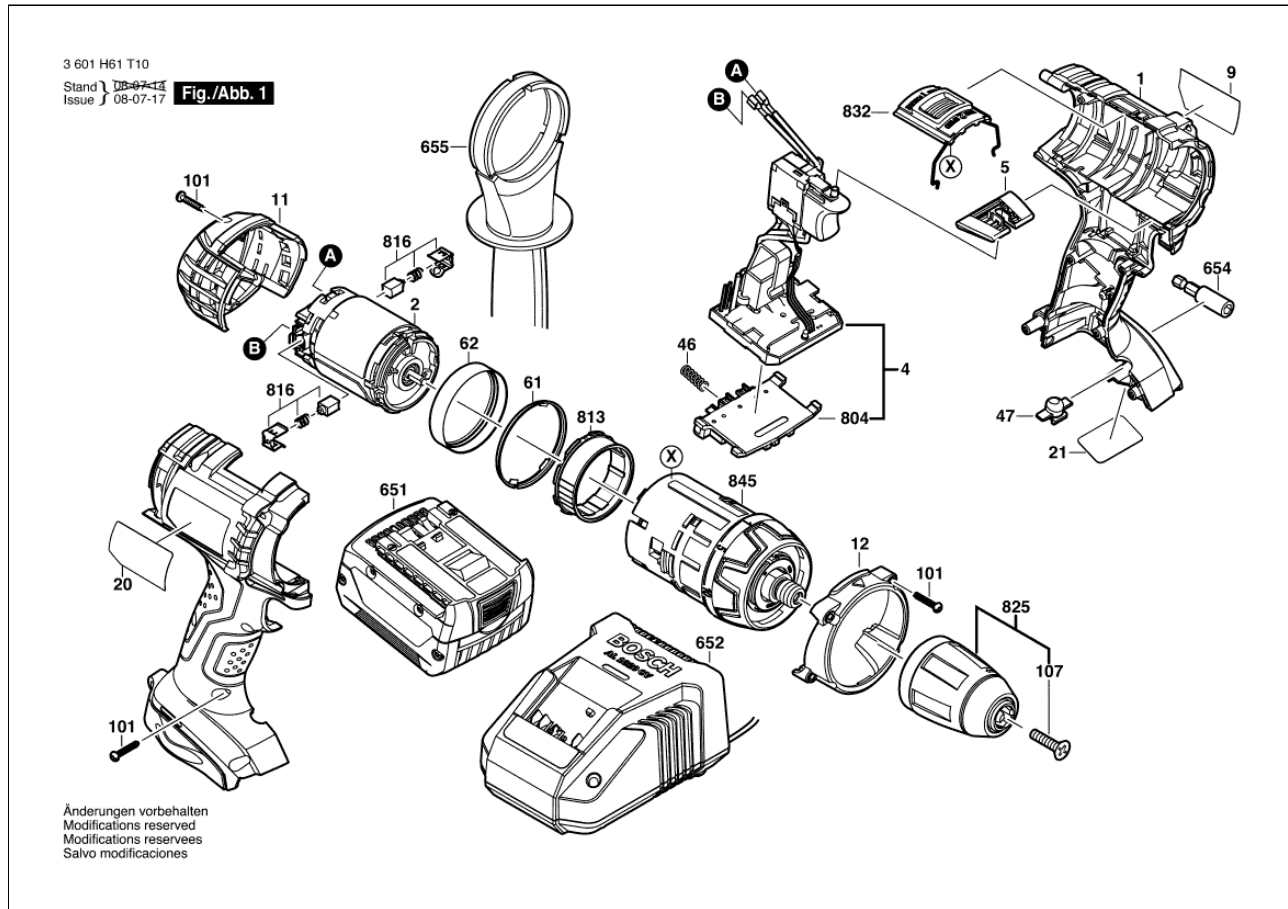


# CORDL PERC SCREWDR 3 601 H59 T10 17614

28.08.2008 22:34:04



Item	Quantity	Order No.	Designation	Price group	Page
1	1	2 605 105 140	HOUSING SECTION / BLUE	33	1
2	1	2 607 022 319	DC MOTOR / 14,4V	42	1
4	1	1 607 233 331	ELECTRONICS MODULE	44	1
5	1	2 601 099 196	ADJUSTING LEVER / RED	10	1
9	1	2 601 115 646	MANUFACTURER'S NAMEPLATE	13	1
11	1	2 600 508 066	END CAP / BLACK	20	1
12	1	2 600 510 011	FRONT CAP	19	1
20	1	2 601 115 881	WARNING PLATE / USA	13	1
21	1	2 601 115 731	TYPE IDENTIFYING MARK / USA	13	1
46	1	1 609 280 477	COMPRESSION SPRING	10	1
47	1	2 605 190 895	LENS	10	1
61	1	2 608 040 273	SUPPORT	13	1
62	1	2 600 202 058	RETAINING SNAP RING	23	1
101	13	2 603 490 018	TORX OVAL-HEAD SCREW / 3x18	10	1
107	1	2 603 421 229	COUNTERSUNK-HEAD SCREW / M 6x23	11	1
651	1	2 607 336 079	SLIDE-IN ACCU PACKAGE / 2,6Ah, Li-Ion XL		1
652	1	2 607 225 327	FAST CHARGER / USA 120/7,2-24V, 1h		1
654	1	2 610 917 319	HOLDER		1
655	1	2 602 025 158	AUXILIARY HANDLE	27	1
813	1	2 600 510 012	LOCATING RING	19	1
816	1	2 607 034 904	CARBON-BRUSH SET	22	1
825	1	2 608 572 902	KEYLESS CHUCK	41	1
832	1	2 601 099 213	ADJUSTING LEVER		1
845	1	2 606 200 249	EPICYCLOIDAL GEAR TRAIN	48	1